

# Acoustic Wall Panels

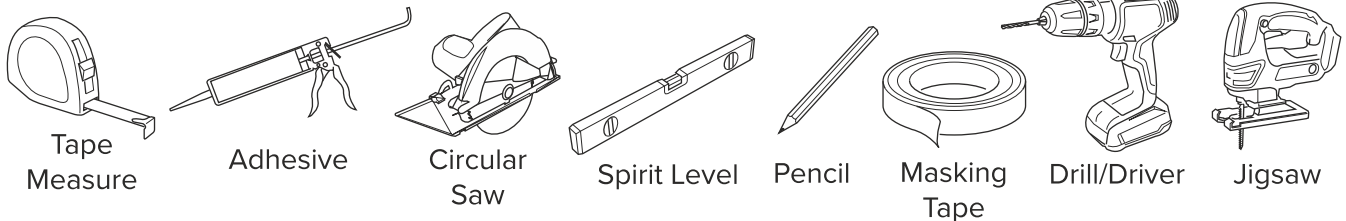
## Installation Guide

### Before you start

- Panels are for internal use only.
- Panels can be installed in kitchens and bathrooms providing they do not come into contact with water.
- Panels are fully finished with a UV lacquer and do not require any further finishing.
- Panel coverage is 1.44m<sup>2</sup>. Panel dimensions are 2400mm x 600mm (+8mm overhang) x 21mm.
- Packaging should be opened carefully. Do not use a knife, as this could damage the product.
- Walls should be clean and smooth before installation.
- When drilling into the wall, please be aware of service pipes and electrical points.
- Masking tape must be applied to the panels at the cut points, to protect the slats.
- Ensure a sharp blade is used for cutting panels.
- Plan for any cuts for switches & sockets before fitting panels.
- Panels can be fitted to ceilings. Make sure fixings are located into ceiling joists.

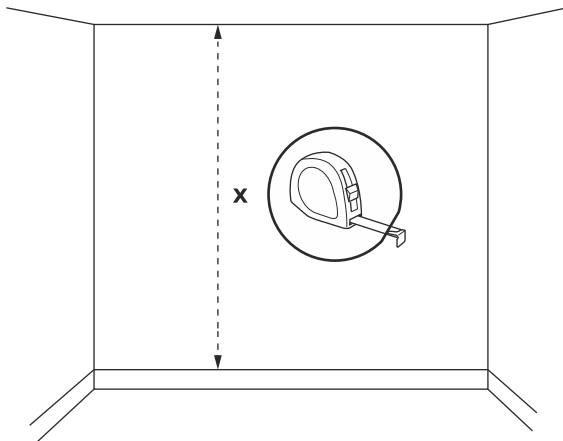
### Tools required

**Note:** Other tools maybe required depending on installation

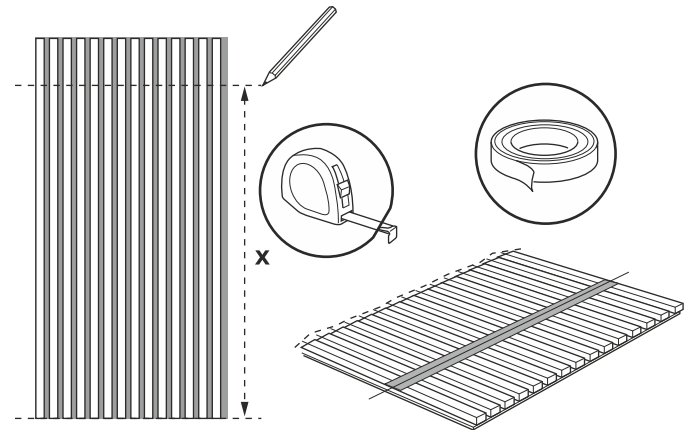


### Installation

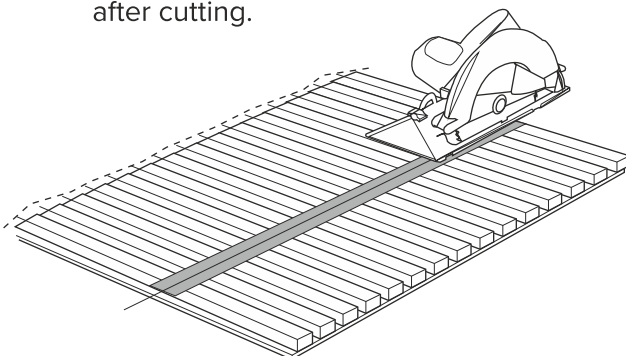
- 1.** Measure the height of the wall.



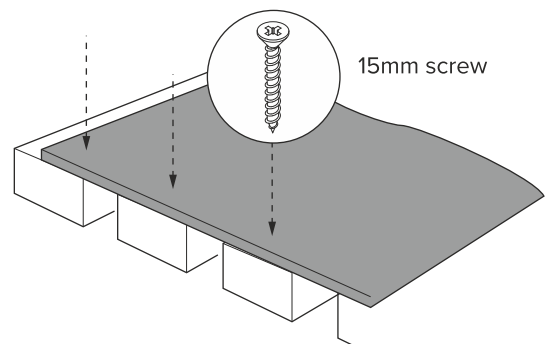
- 2.** Lay the panel flat and mark the cut line.  
**Note:** Apply masking tape to the cut location.



- 3.** Cut the panel to the height required.  
**Note:** Masking tape should be removed after cutting.



- 4.** Some slats may become loose during cutting. If so, use screws to secure from behind.

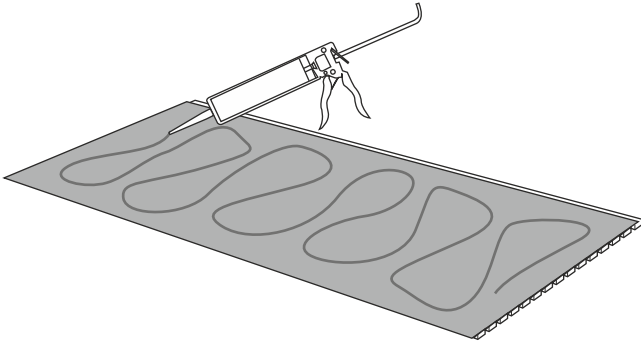


**5. Fixing methods**

Panels can be secured to the wall using adhesive, screwed direct to the wall, or screwed to wall battens.

**Adhesive**

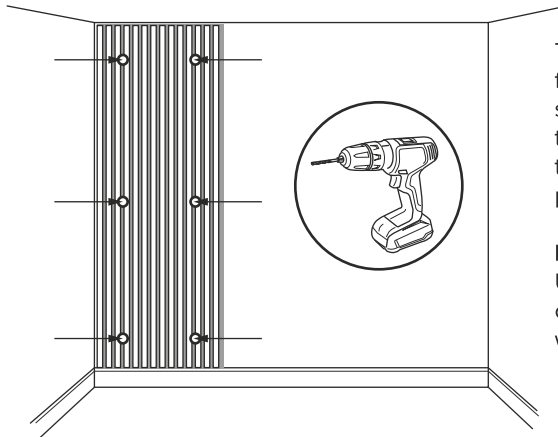
Apply a generous amount adhesive to the back of the panel.



**Screws**

Locate the panel onto the wall and mark the fixing locations through the panel backing. Remove the panel and drill wall for screw fixings.

**Note:** Different walls require different fixings. We recommend a 35mm screw to secure panels.



Top & bottom fixing screws should be no less than 50mm from the edge of the panel.

**Hints & tips:**  
Use black or dark coloured screws which are less visible.

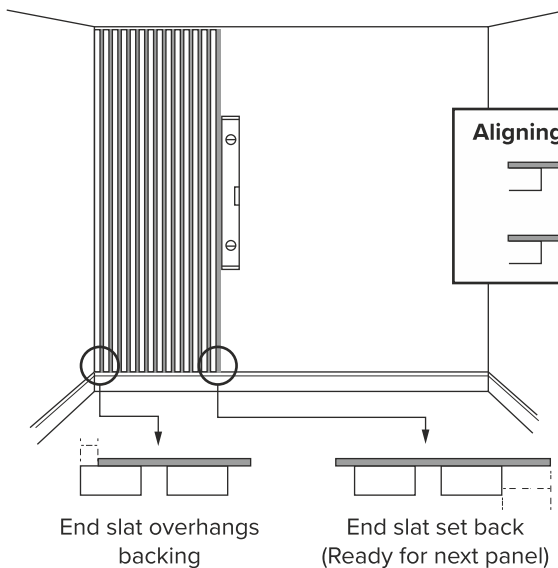
**6.** Fit the panel to the wall working from the left side. Use a spirit level to ensure the panel is straight.

If using adhesive, push firmly making sure the adhesive makes contact with the surface of the wall.

Screw panels in place as required, using suitable wall fixings.

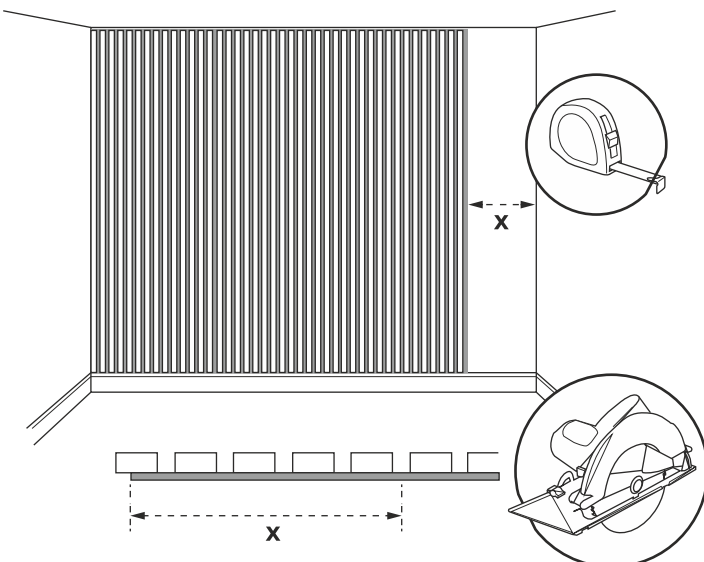
**Note:** Make sure the panels are fitted so the overhanging slat is nearest to the wall.

Repeat for all other full width panels.



**7.** Measure the width required for the final panel and cut to size.

**Note:** Cut through the panel backing. Secure to the wall using chosen fixing method.



**Cutting around switches & sockets**

Measure the location of any light switches or plug sockets.

Apply dimensions to the panel and cut as required.

