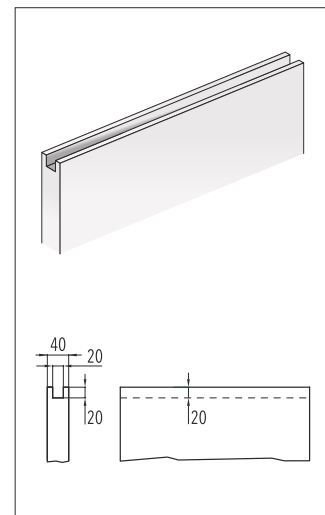

IMPORTANT

Wooden door panels should be routed as shown along the top edge.



FRAMES FOR DOUBLE DOORS			DOOR PANEL UK	
MAX. PASSAGE SIZE	OVERALL DIMENSION	FINISHED WALL	DW	DH
PW x PH	W x H	FW		
1200 x 2048	2670 x 2108	125	626	2040
1400 x 2048	3070 x 2108	125	726	2040
1600 x 2048	3470 x 2108	125	826	2040
1800 x 2048	3870 x 2108	125	926	2040
2000 x 2048	4270 x 2108	125	1026	2040
1168 x 1989	2638 x 2049	125	2ft. 0in. x 6ft. 6in. (610 x 1981 mm)	
1320 x 1989	2990 x 2049	125	2ft. 3in. x 6ft. 6in. (686 x 1981 mm)	
1472 x 1989	3342 x 2049	125	2ft. 6in. x 6ft. 6in. (762 x 1981 mm)	
1624 x 1989	3494 x 2049	125	2ft. 9in. x 6ft. 6in. (838 x 1981 mm)	
1776 x 1989	3846 x 2049		3ft. 0in. x 6ft. 6in. (914 x 1981 mm)	

**NOTES**

- ▶ Available in Non Standard Sizes up to 2600 x 2700 mm passage size.
- ▶ Suitable for use with 35 or 44 mm thick doors.
- ▶ Max door weight 100 kg.
- ▶ Passage sizes above 2000 x 2150 mm must be 125 or 150 mm wall thickness.
- ▶ When fitting flush pull handles we recommend the stop be regulated so the door protrudes from the pocket to avoid risk to fingers.
- ▶ Should the door be adjusted to enter the pocket completely we do not accept any liability.
- ▶ Doors and plasterboard not supplied.
- ▶ Install at finished floor level.

**ACCESSORIES**

- ▶ **Door Furniture**
Flush Pulls
- ▶ **Flush Skirting Board adaptor**
- ▶ **ECLISSE BIAS®**
Soft Close anti-slam device with 40 kg soft closing
- ▶ **ECLISSE BIAS® DS**
Bi-directional soft close up to 40 kg with anti-slam