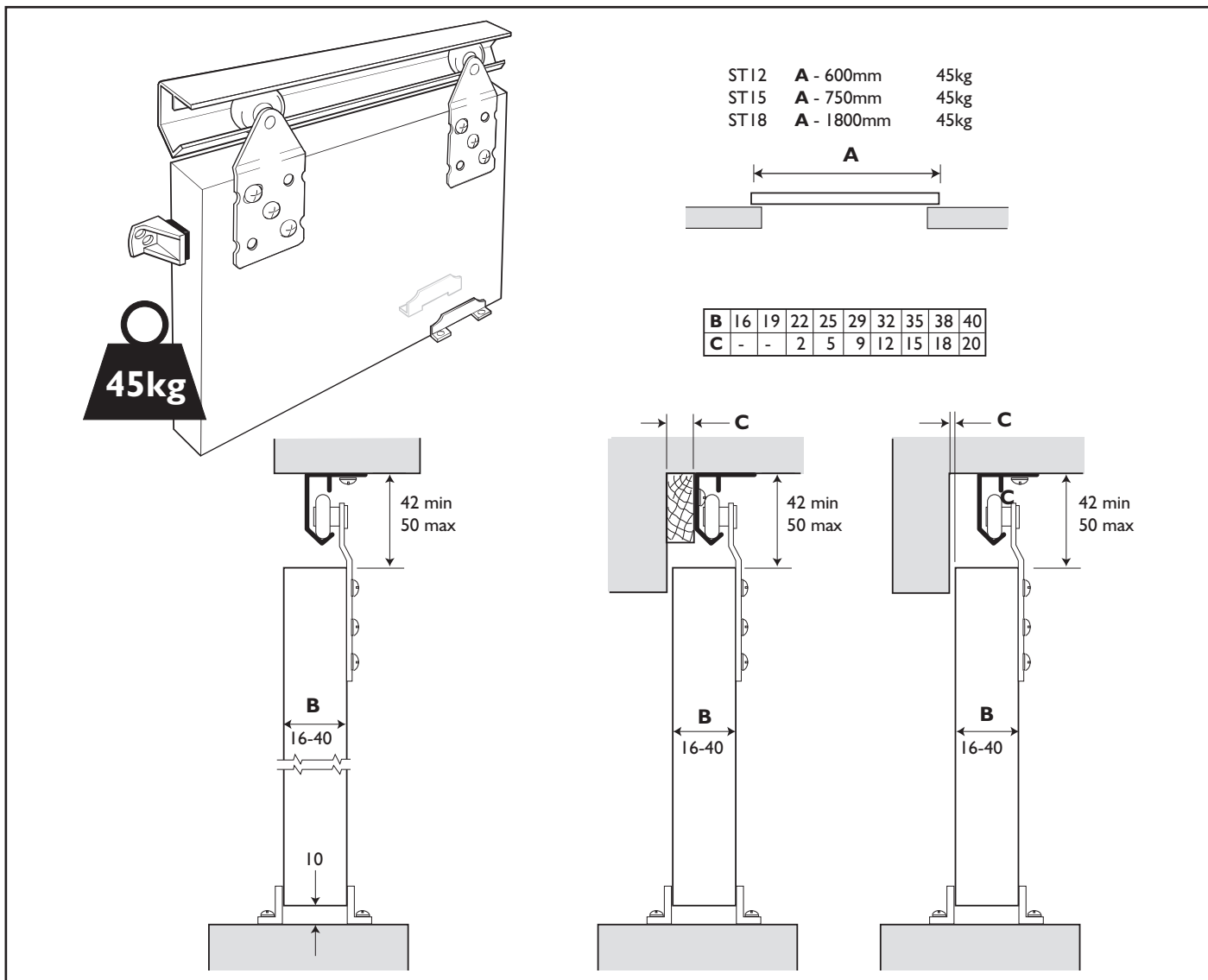


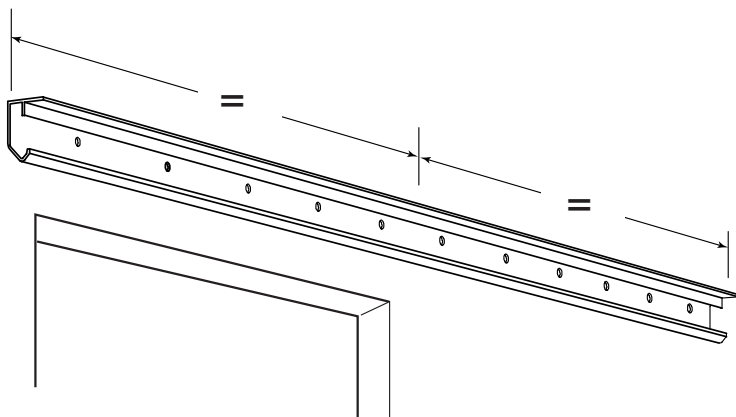
# SINGLE TOP 45kg

## FITTING INSTRUCTIONS

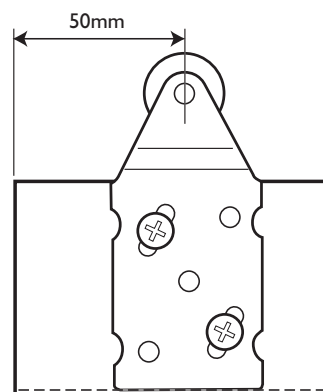
**Warranty.** This product is covered by a 10 year manufacturer's warranty.



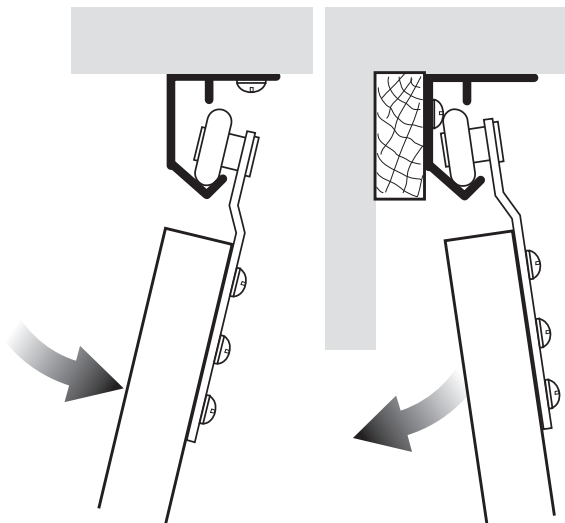
### 1 Fit track to wall



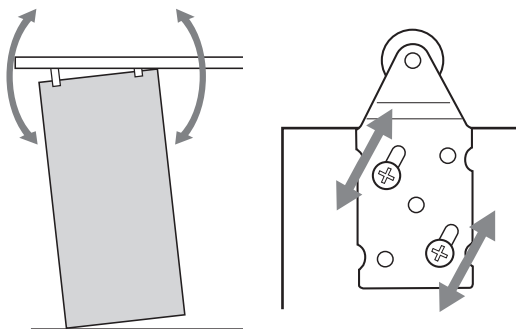
### 2 Fit hangers to door



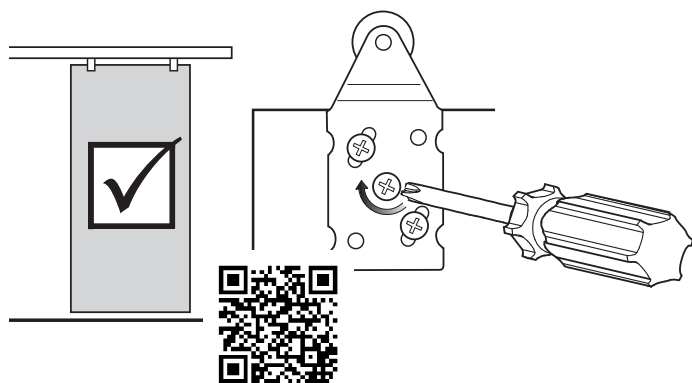
### 3 Position door into track



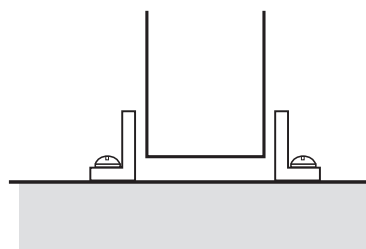
### 4 Adjust door height



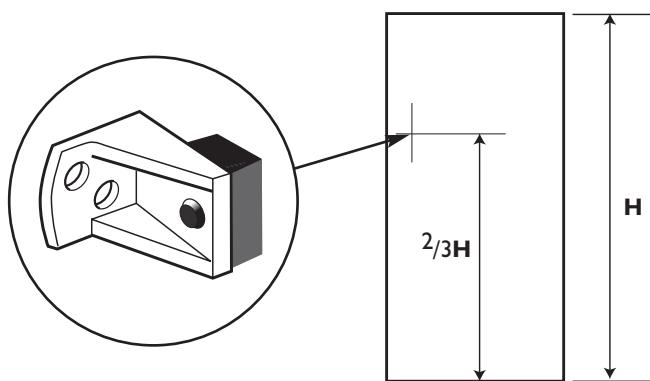
### 5 Lock the hangers when the door is in position



### 6 Centre door between guides



### 7 Fit door stop



(All dimensions are in mm.)

