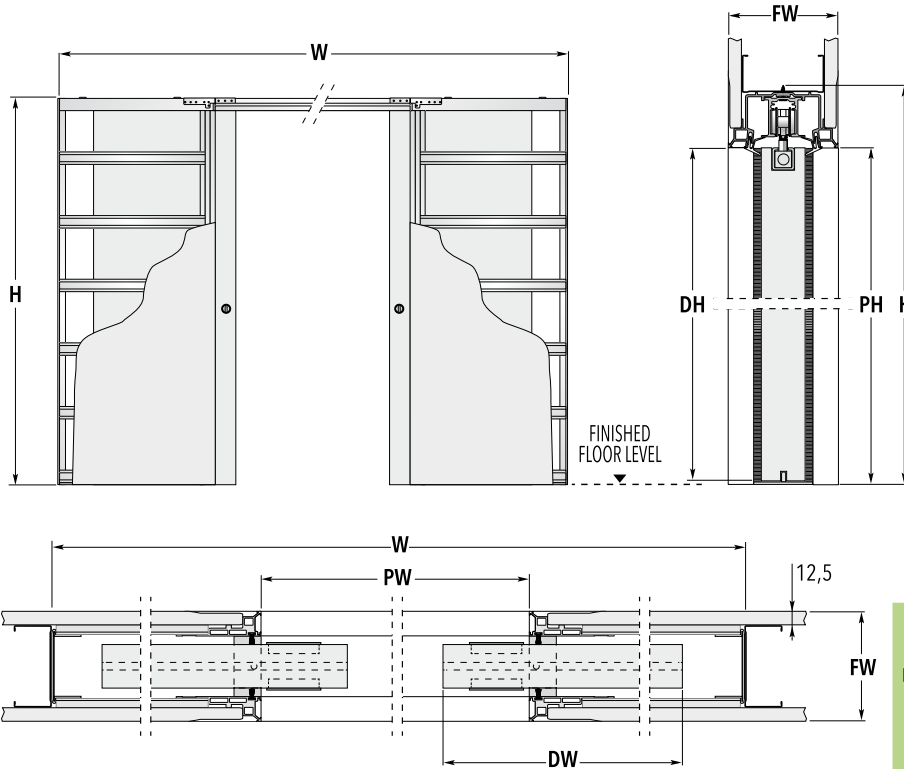


SYNTESIS® FLUSH DOUBLE

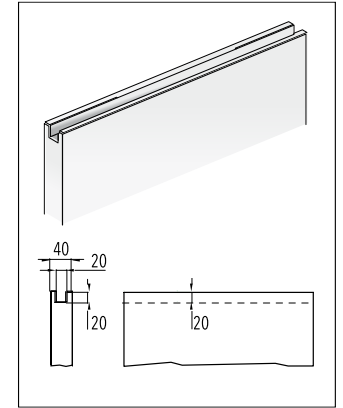
DOUBLE FLUSH POCKET DOORS SYSTEM

Flush Pocket Door System
no jambs, no architraves



IMPORTANT

Wooden door panels should be routed as shown along the top edge.



PLEASE NOTE INBUILT TOLERANCE
If setting out your studwork before delivery of your frame please note there is approximately an 8mm tolerance built into the height of these pocket door systems which you will need to take into account. Packers may be required to accommodate for this gap if you are unable to adjust the studwork above the system.
Note: Frame should be installed at finished floor level.

FRAMES FOR DOUBLE DOORS			DOOR PANEL UK	
MAX. PASSAGE SIZE PW x PH	OVERALL DIMENSION W x H	FINISHED WALL FW	DW	DH
1200 x 2048	2700 x 2108	100 - 125	626	2040
1400 x 2048	3100 x 2108	100 - 125	726	2040
1600 x 2048	3500 x 2108	100 - 125	826	2040
1800 x 2048	3900 x 2108	100 - 125	926	2040
2000 x 2048	4300 x 2108	100 - 125	1026	2040
1168 x 1989	2668 x 2049	100 - 125	2ft. 0in. x 6ft. 6in. (610 x 1981 mm)	
1320 x 1989	3020 x 2049	100 - 125	2ft. 3in. x 6ft. 6in. (686 x 1981 mm)	
1472 x 1989	3372 x 2049	100 - 125	2ft. 6in. x 6ft. 6in. (762 x 1981 mm)	
1624 x 1989	3524 x 2049	100 - 125	2ft. 9in. x 6ft. 6in. (838 x 1981 mm)	
1776 x 1989	3876 x 2049	100 - 125	3ft. 0in. x 6ft. 6in. (914 x 1981 mm)	

Dimensions are given in mm



NOTES

- ▶ Available in Non Standard Sizes up to 2600 x 3000 mm passage size.
- ▶ Suitable for use with 35 or 44 mm thick doors.
- ▶ Max door weight 100 kg.
- ▶ Passage sizes above 2000 x 2150 mm must be 125 or 150 mm wall thickness.
- ▶ When fitting flush pull handles we recommend the stop be regulated so the door protrudes from the pocket to avoid risk to fingers.
- ▶ Should the door be adjusted to enter the pocket completely we do not accept any liability.
- ▶ Doors and plasterboard not supplied.
- ▶ Install at finished floor level.



ACCESSORIES

- ▶ **Door Furniture**
Flush Pulls
- ▶ **Flush Skirting Board adaptor**
- ▶ **ECLISSE BIAS®**
Soft Close anti-slam device with 40 kg soft closing
- ▶ **ECLISSE BIAS® DS**
Bi-directional soft close up to 40 kg with anti-slam