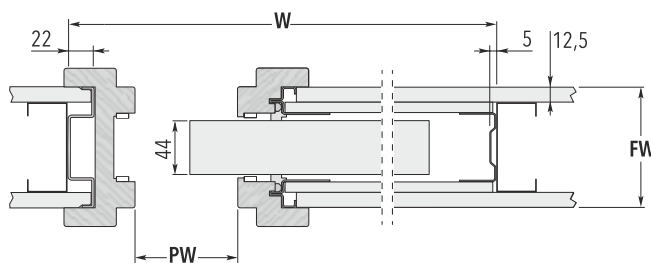
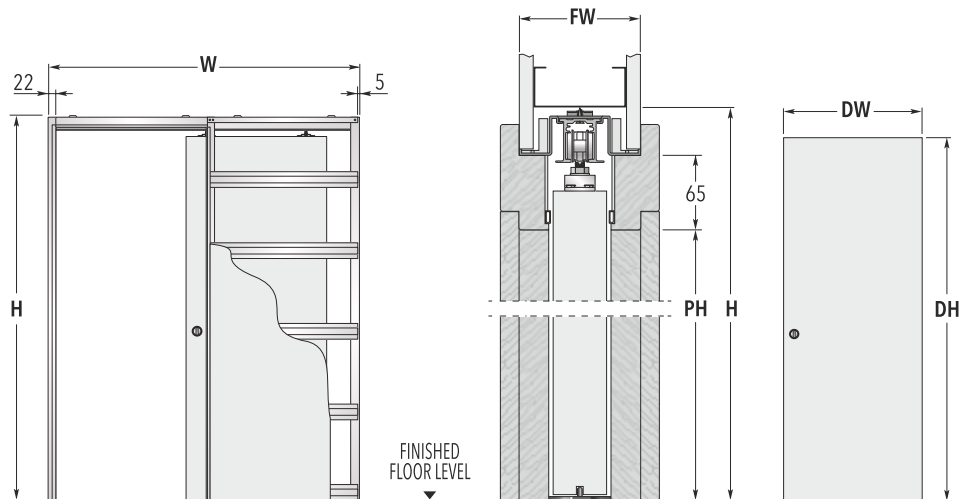
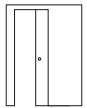


ECLISSE UNICO CLASSIC SINGLE FIRE RATED

SINGLE FD30 POCKET DOORS SYSTEM

Single Sliding Pocket Door System
for FD30 rated doors



Note: Non standard sizes on request

FRAMES FOR SINGLE DOORS			DOOR PANELS UK	
MAX. PASSAGE SIZE PW x PH	OVERALL DIMENSION W x H	FINISHED WALL FW	DW	DH
578 x 2010	1294 x 2120	100	626	2040
678 x 2010	1494 x 2120	100	726	2040
778 x 2010	1694 x 2120	100	826	2040
878 x 2010	1894 x 2120	100	926	2040
978 x 2010	2094 x 2120	100	1026	2040
563 x 1951	1279 x 2061	100	2ft. 0in. x 6ft. 6in. (610 x 1981 mm)	
639 x 1951	1455 x 2061	100	2ft. 3in. x 6ft. 6in. (686 x 1981 mm)	
715 x 1951	1631 x 2061	100	2ft. 6in. x 6ft. 6in. (762 x 1981 mm)	
791 x 1951	1707 x 2061	100	2ft. 9in. x 6ft. 6in. (838 x 1981 mm)	
878 x 1951	1894 x 2061	100	3ft. 0in. x 6ft. 6in. (914 x 1981 mm)	

Dimensions are given in mm



NOTES

- ▶ Suitable for 44 mm thick FD30 timber doors (not supplied).
- ▶ Bespoke sizes available - please contact us for details.
- ▶ One layer of 12.5 mm fireboard each side (not supplied).
- ▶ Finished wall thickness 100 mm (frame thickness 75 mm).
- ▶ Supplied with special jamb with integrated architrave.
- ▶ FD30 door and fireboard not supplied.
- ▶ Use 15 x 4 mm graphite based intumescent strips (not supplied).
- ▶ Self centering floor guide with anti-warp profile.
- ▶ Install at finished floor level.
- ▶ Max. door panel weight 100 kg.



ACCESSORIES

- ▶ **Self Closing Mechanism***
Open the door and it closes by itself!
- ▶ **ECLISSE BIAS®**
Soft close up to 40 kg with anti-slam

* Please check first with your Building Inspector prior to ordering to determine whether or not your particular project will require a self-closer.



INTERNATIONAL FIRE
CONSULTANTS GROUP

The system was tested to BS EN 1634-1:2008 for fire resistance at Cambridge Fire Research which is an independent UKAS accredited testing laboratory.

POCKETDOORSHOP.CO.UK

T: 0113 202 8349