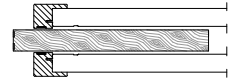
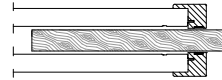
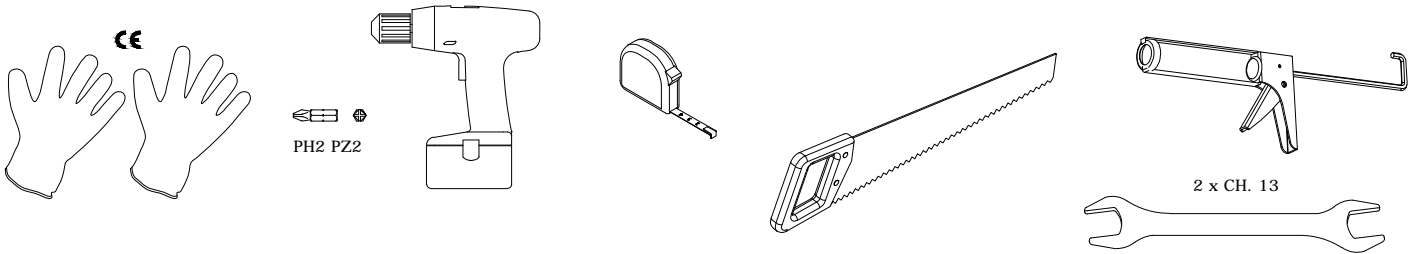


UK

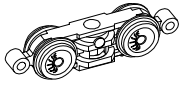

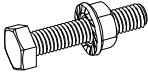

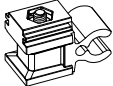
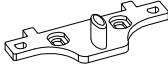
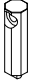

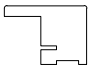
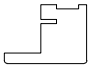
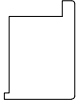
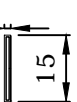
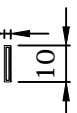

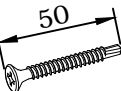
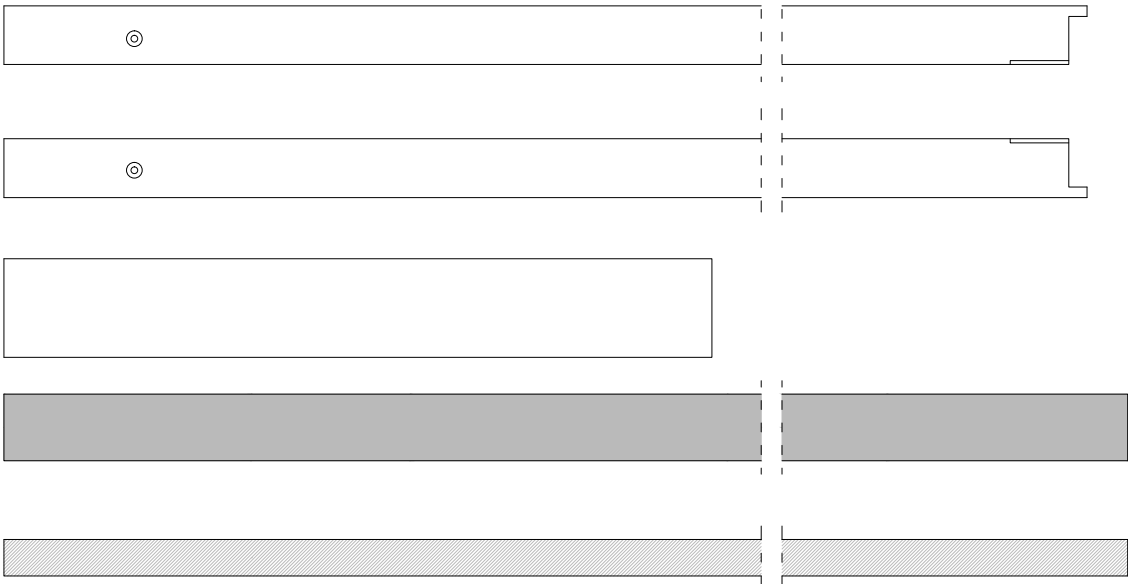
INSTALLATION INSTRUCTION FOR DOOR PANELS AND JAMBS FIRE RATED DOUBLE POCKET DOOR SYSTEMS

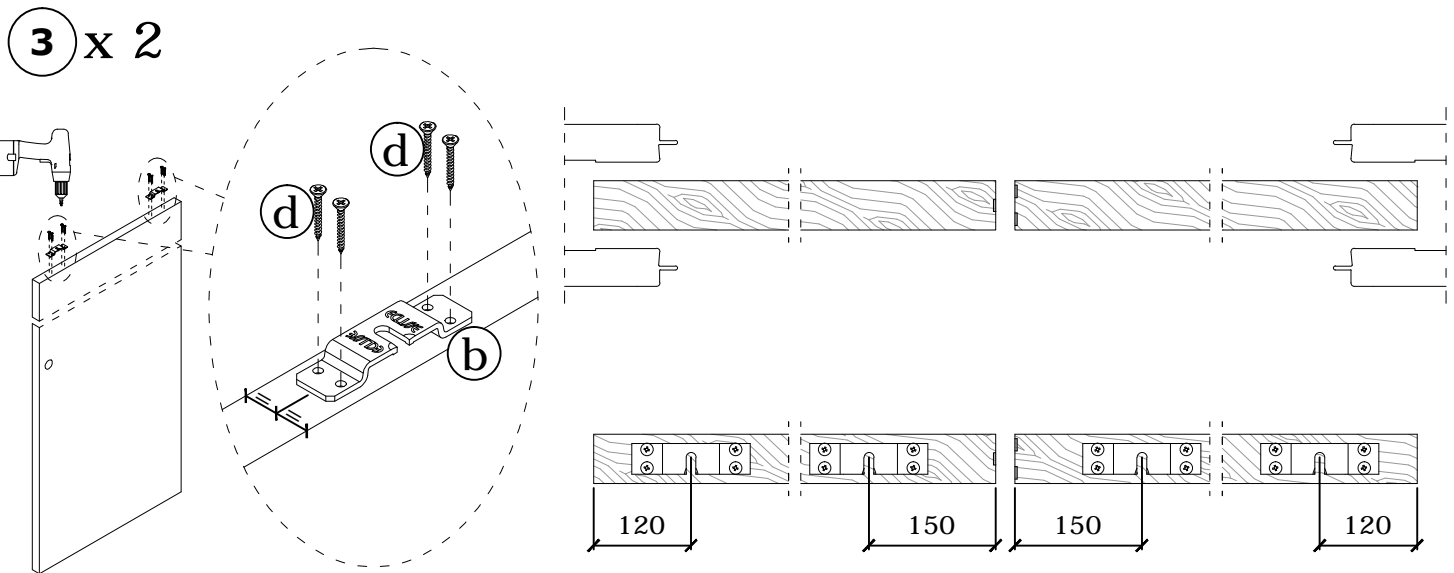
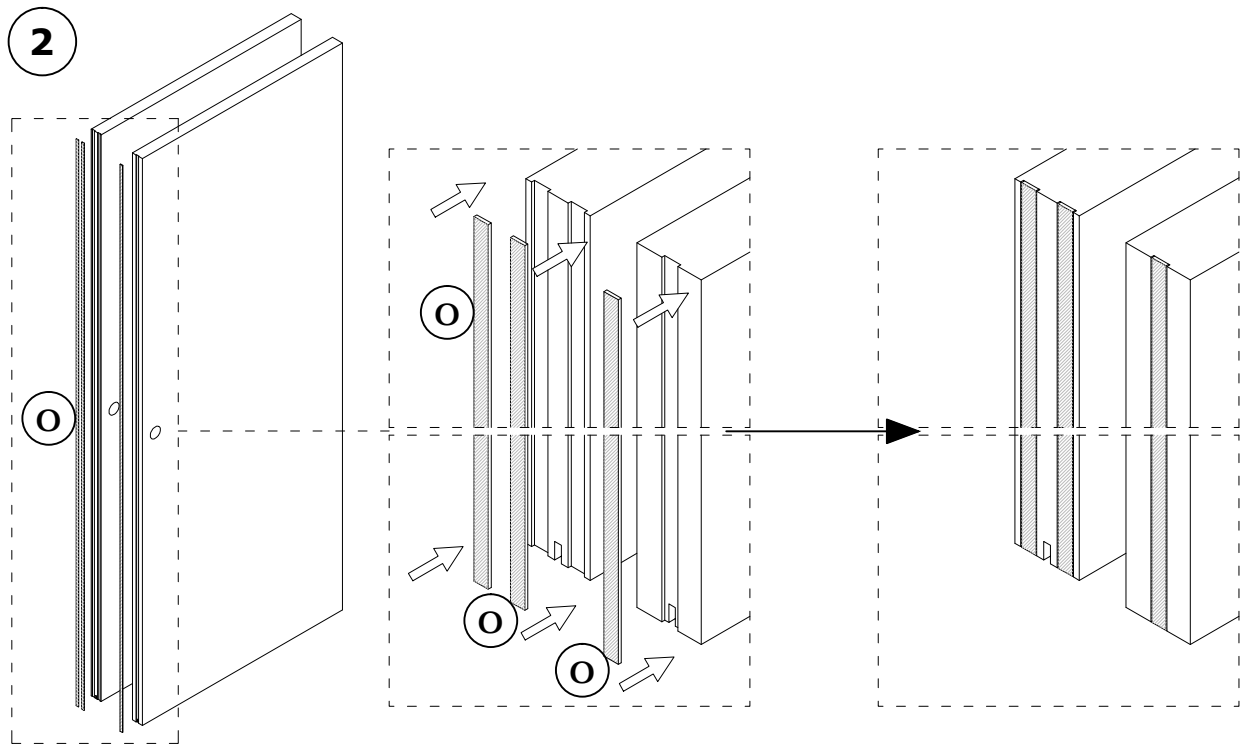
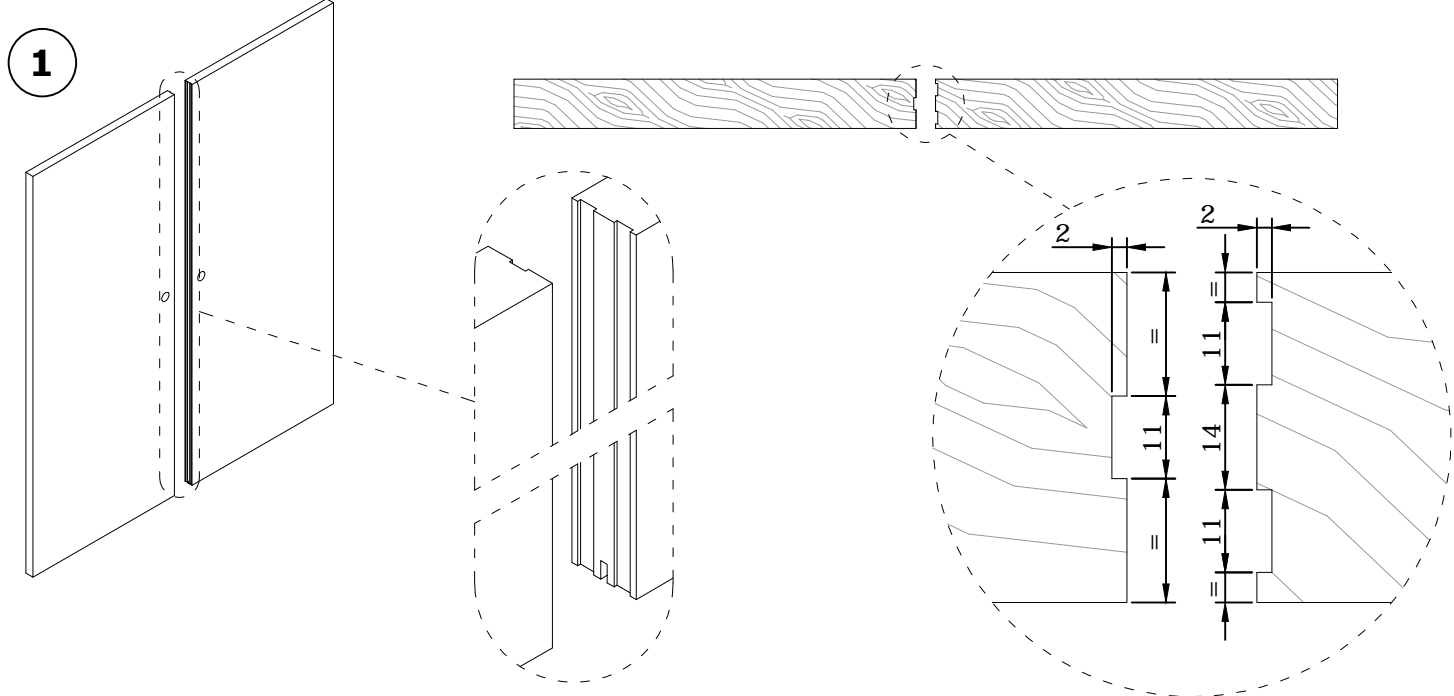


TOOLS REQUIRED

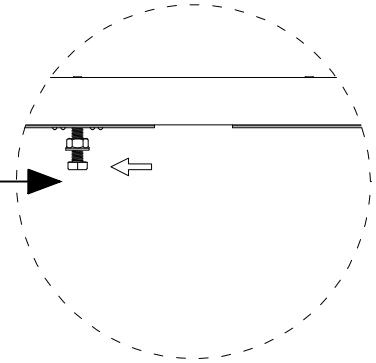
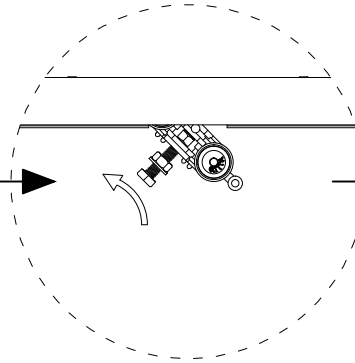
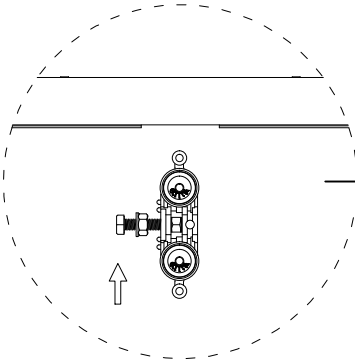
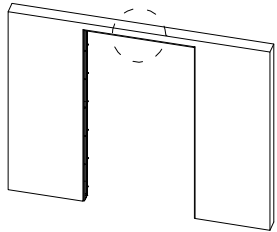
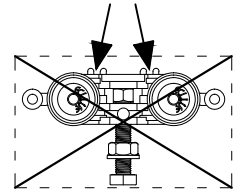
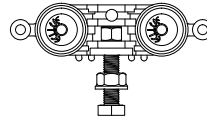
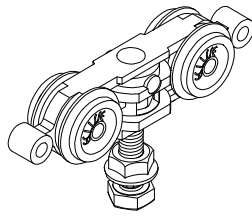
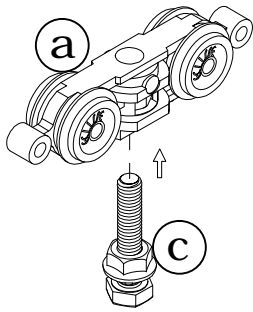


COMPONENTS

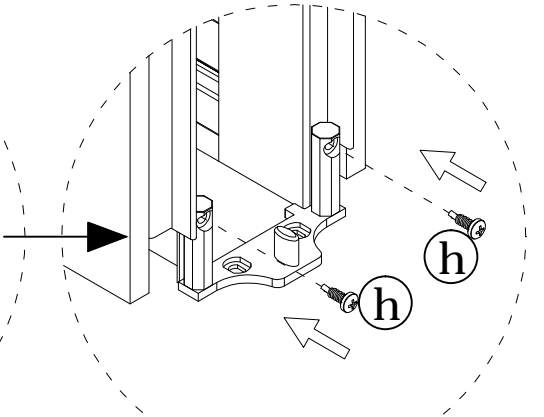
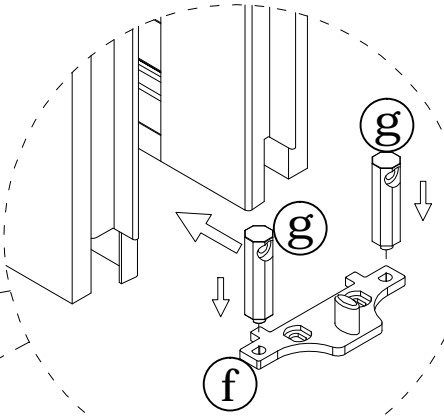
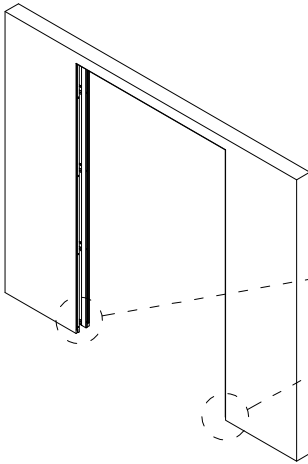
<p>a 4 x </p> <p>b 4 x </p> <p>c 4 x </p>	<p>d 16 x </p> <p>e 2 x </p> <p>f 2 x </p>	<p>g 4 x </p> <p>h 4 x </p>
NOT INCLUDED IN THIS KIT, SUPPLIED WITH ECLISSE CLASSIC POCKET DOOR KIT		
<p>i 2 x </p> <p>l 2 x </p> <p>m 2 x </p> <p>n 7 x </p> <p>o 3 x </p> <p>p 1 x </p>	<p>q 12 x  4,8 X 50</p>	



4 x 4

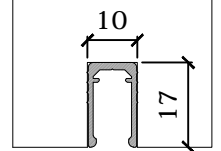
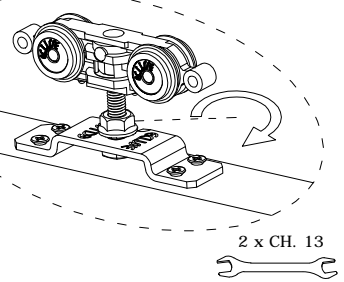
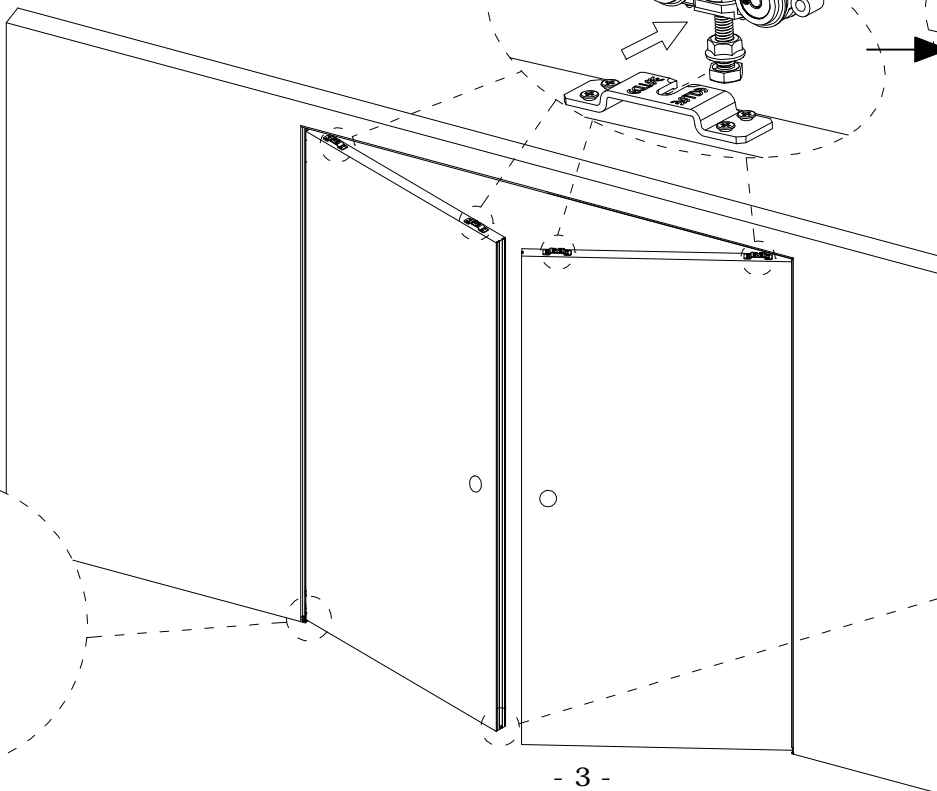


5



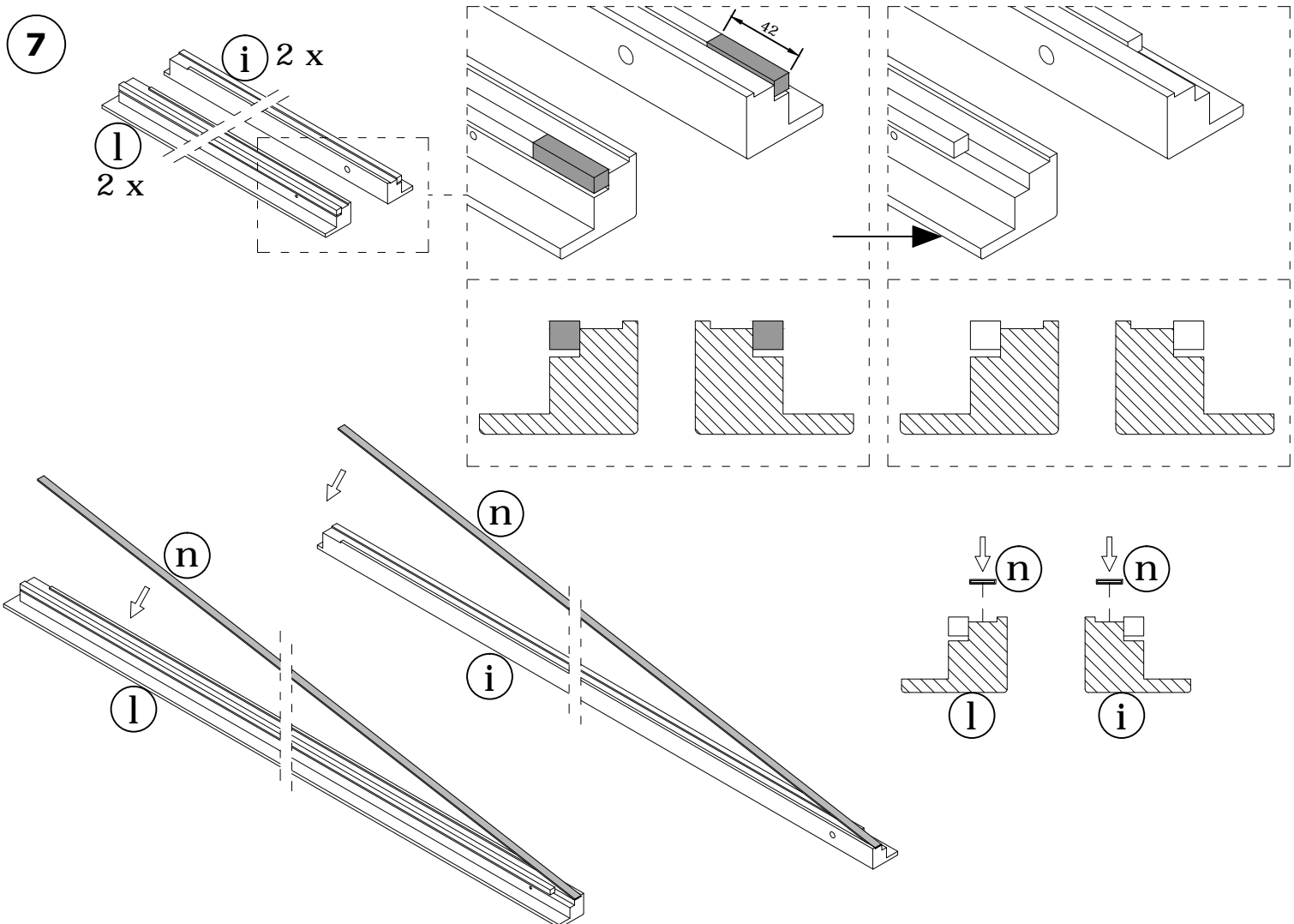
IF THE USE OF AN ECLISE SELF CLOSING SYSTEM IS REQUIRED (PLEASE CHECK WITH YOUR BUILDING INSPECTOR) THEN NOW IS THE TIME TO DO SO. PLEASE REFER TO THE INSTRUCTIONS SUPPLIED WITH THE ECLISE SELF CLOSER

6

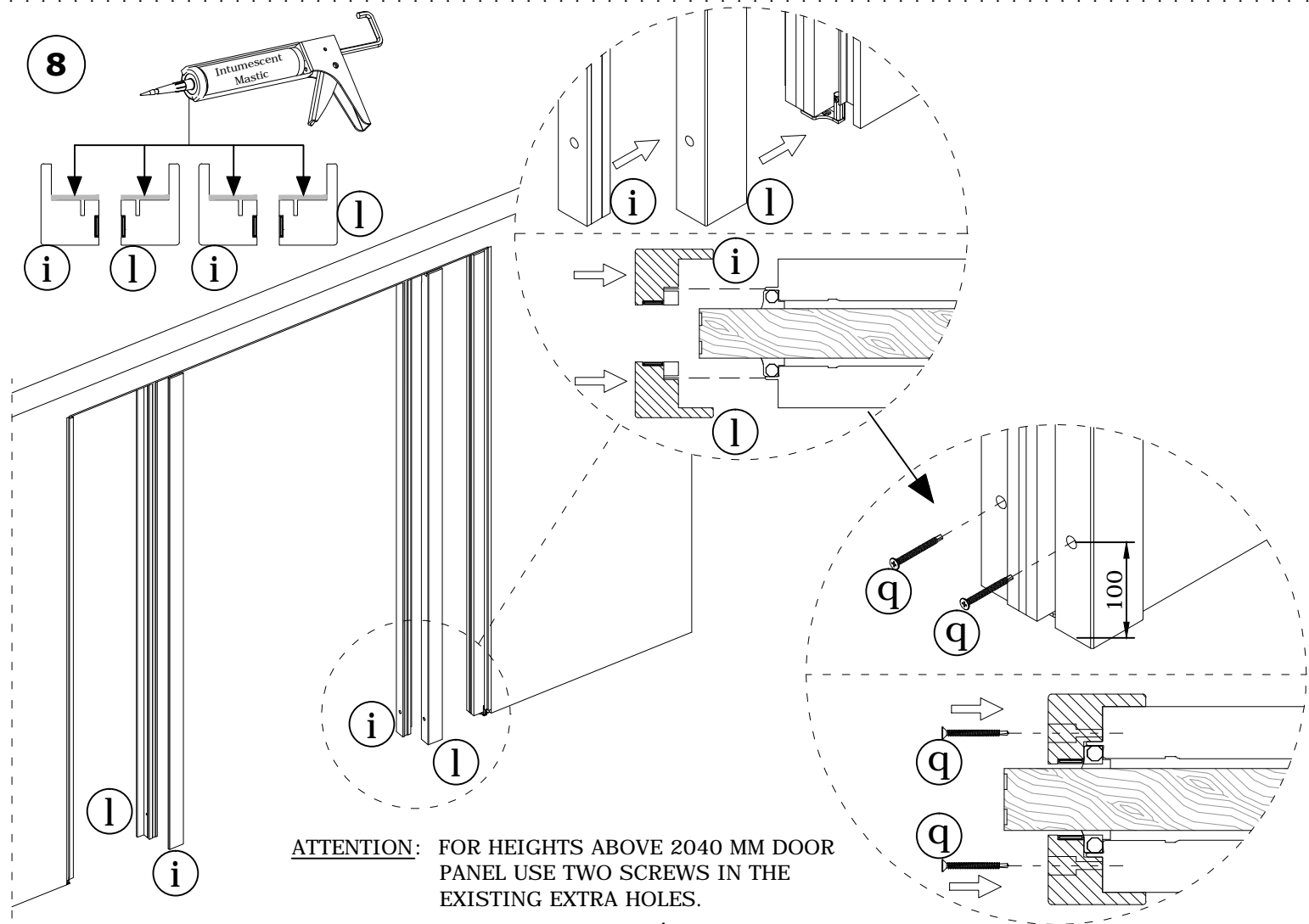


ANTI WARP
PROFIL

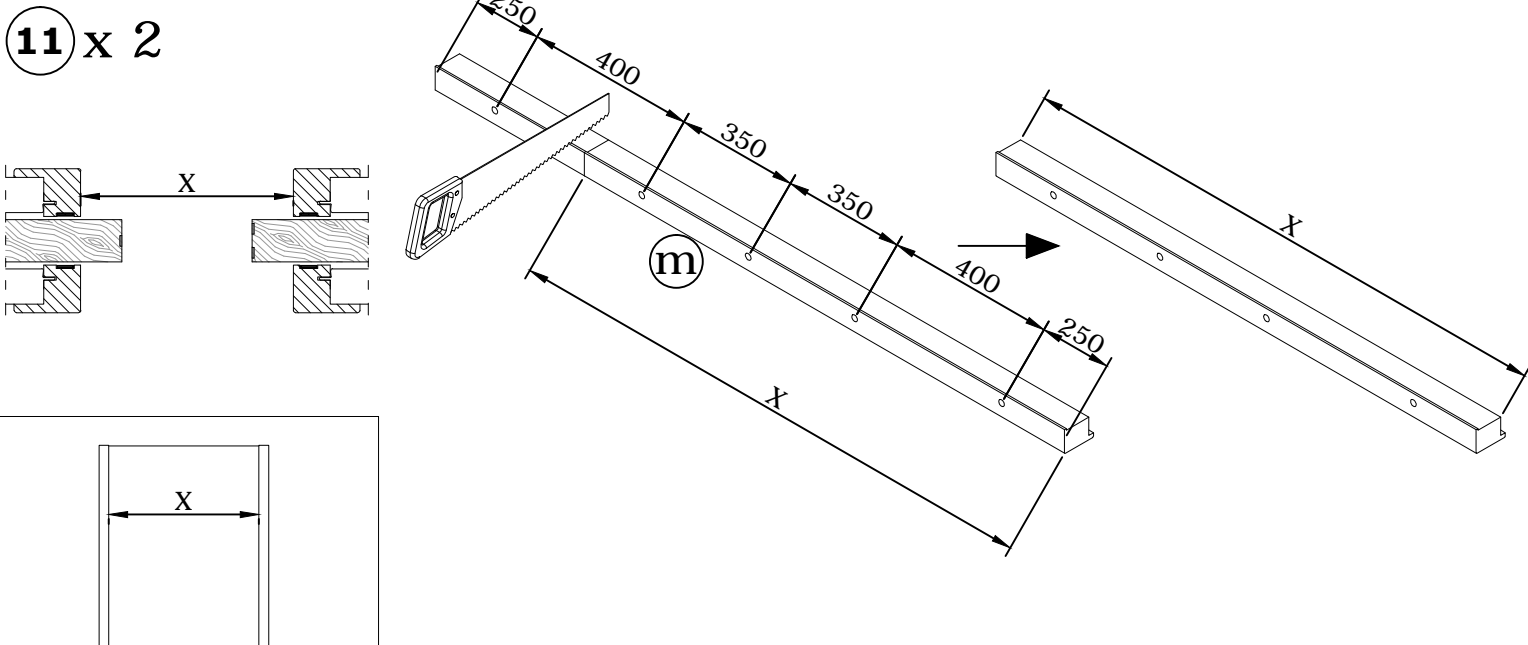
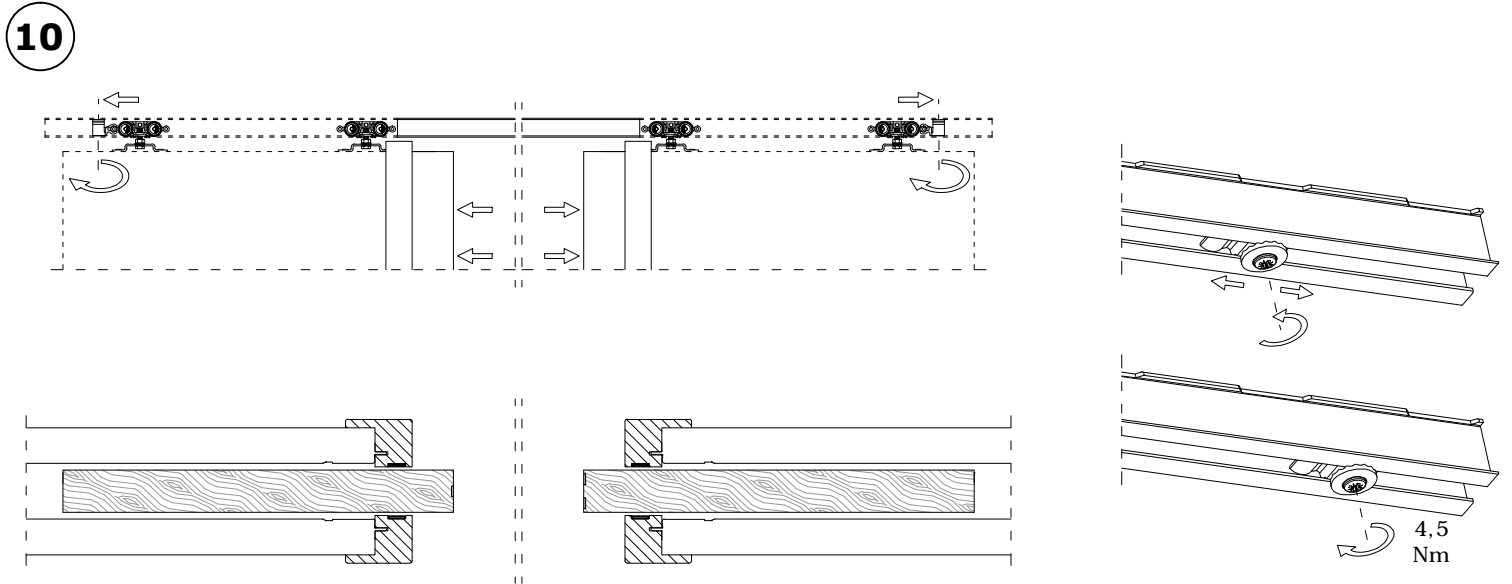
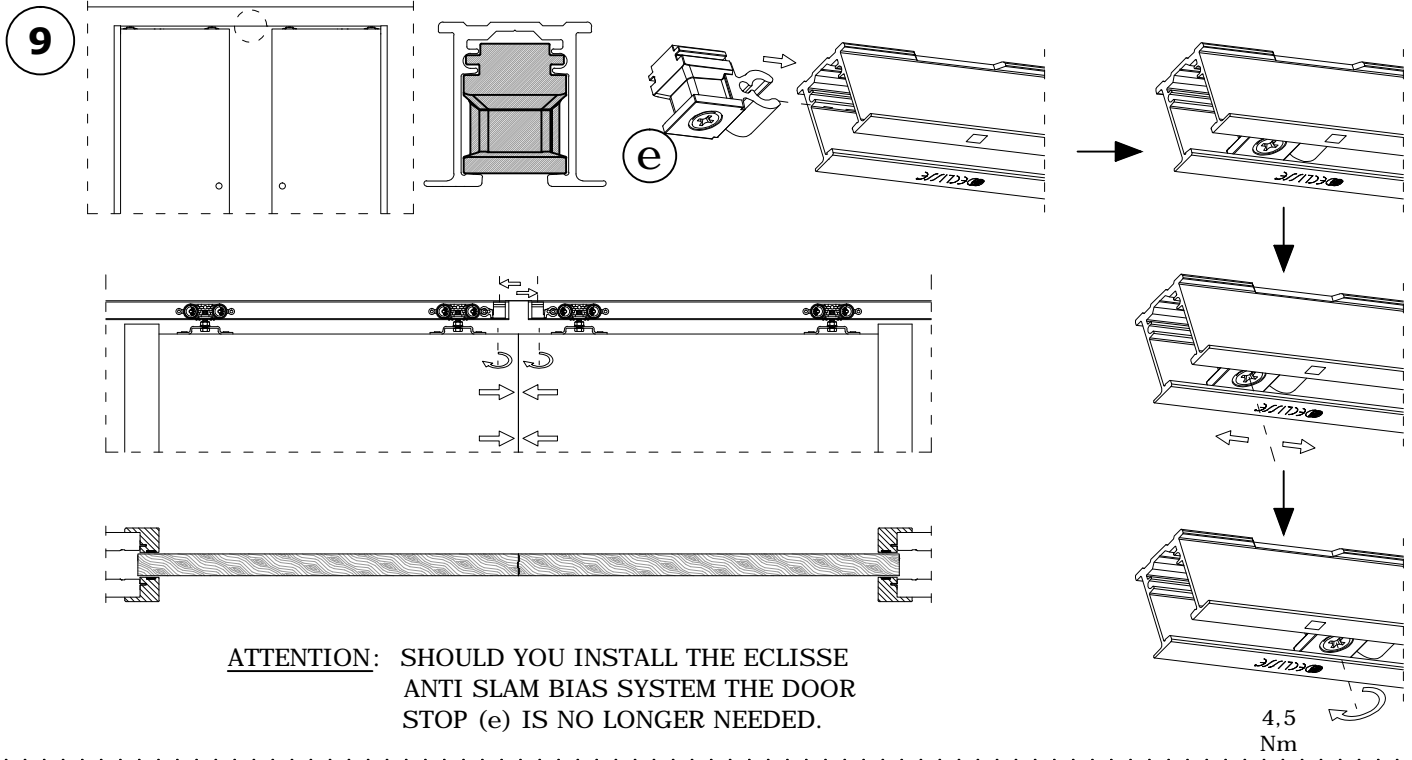
7

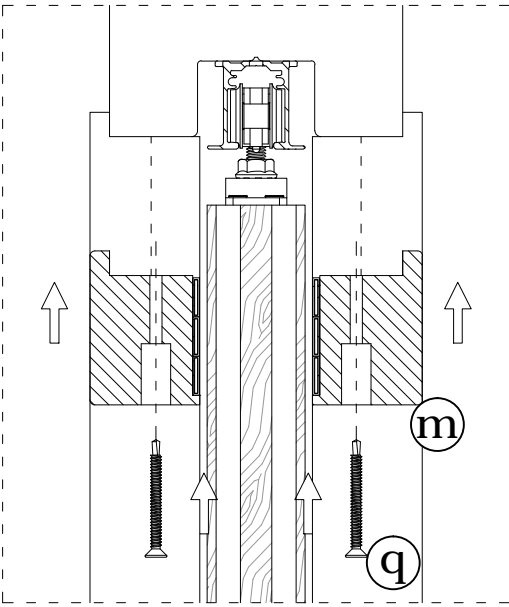
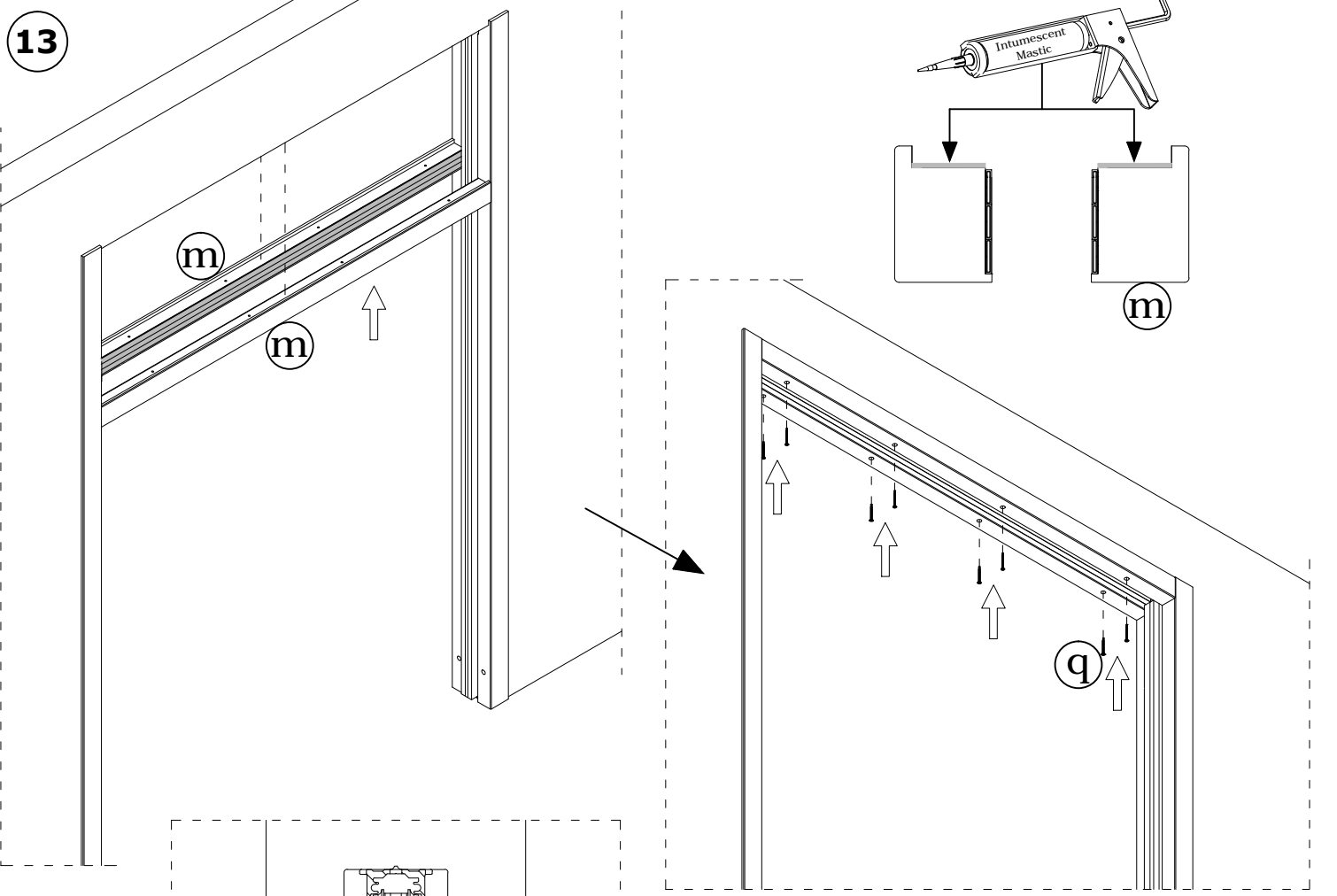
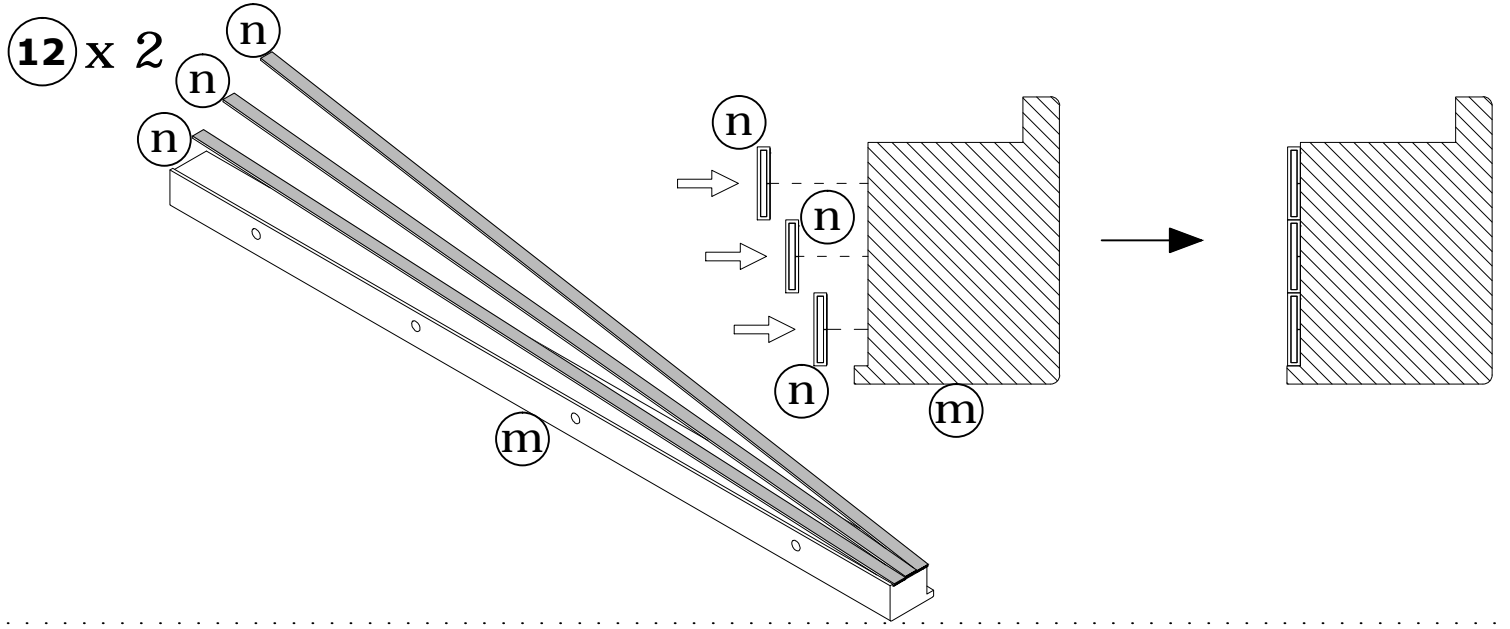


8

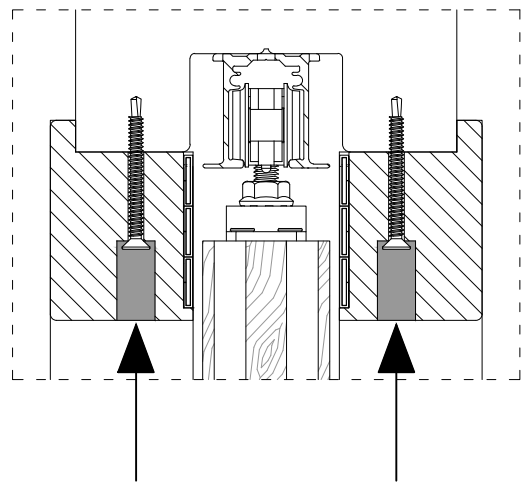
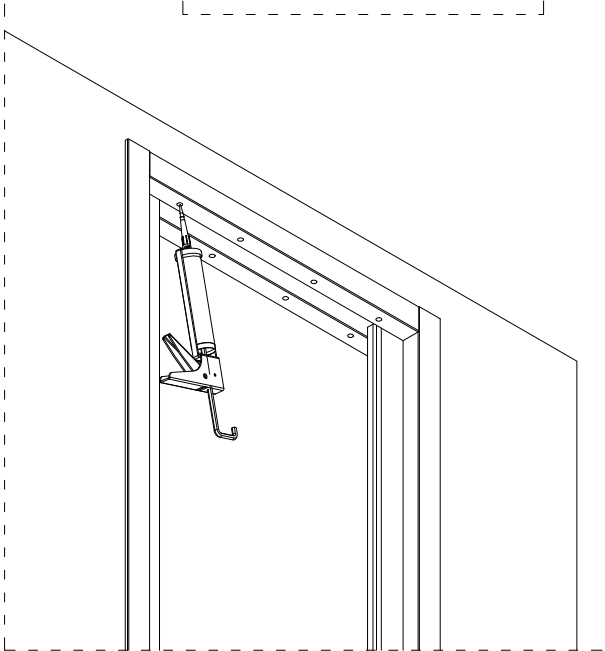
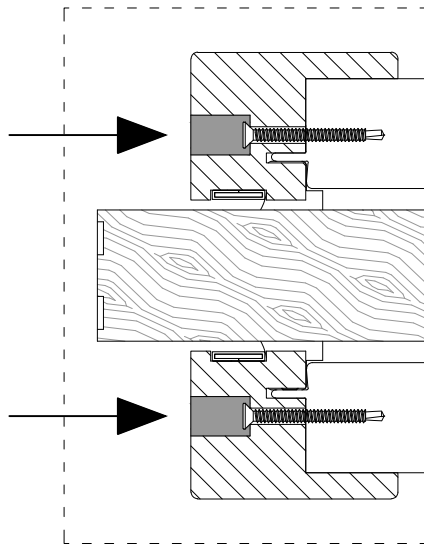
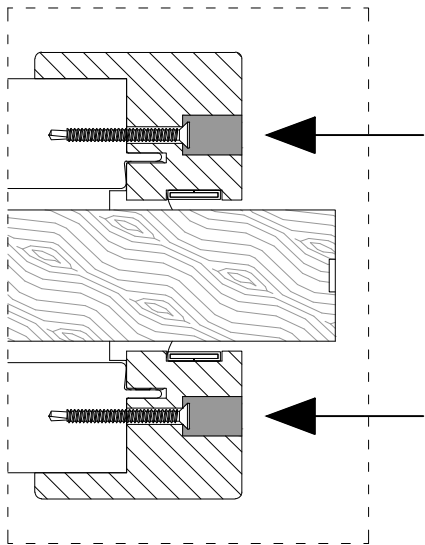
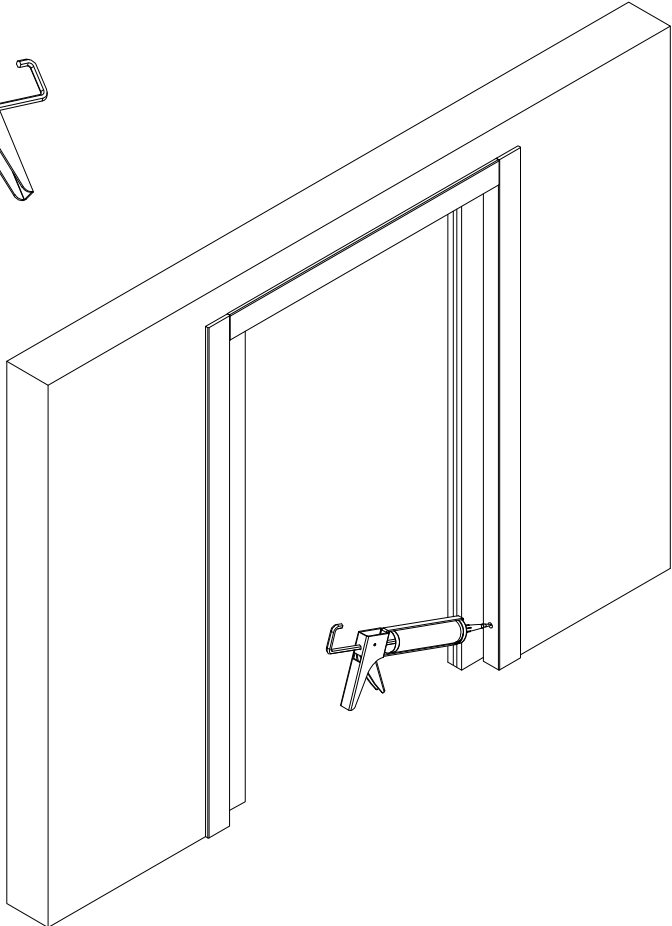
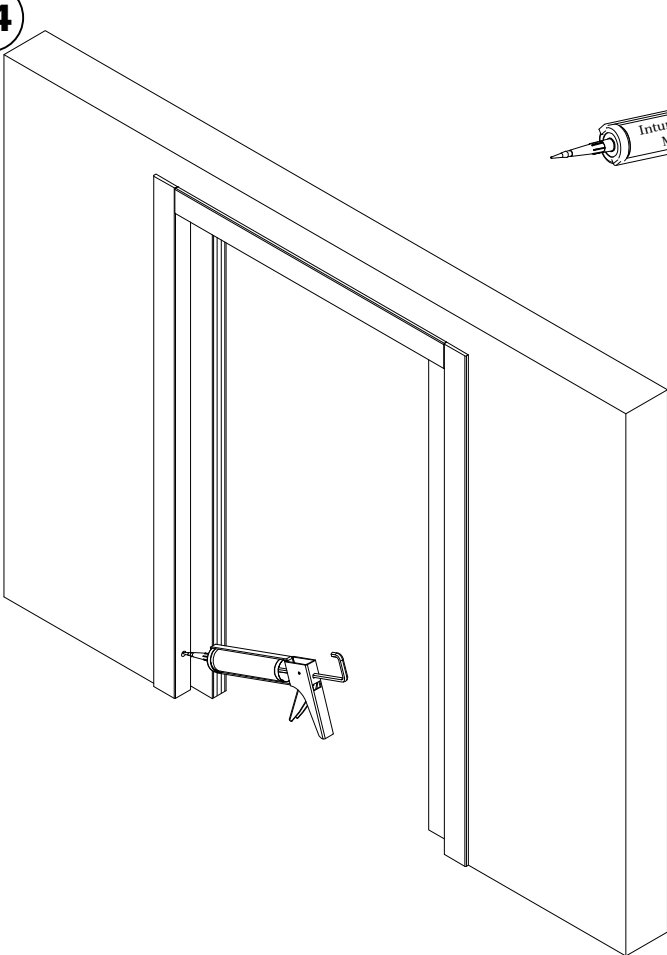
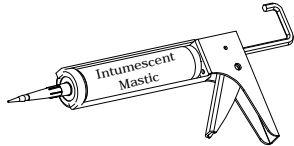


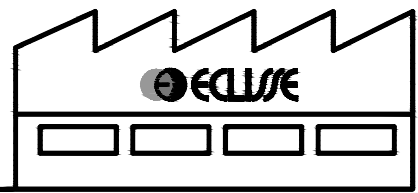
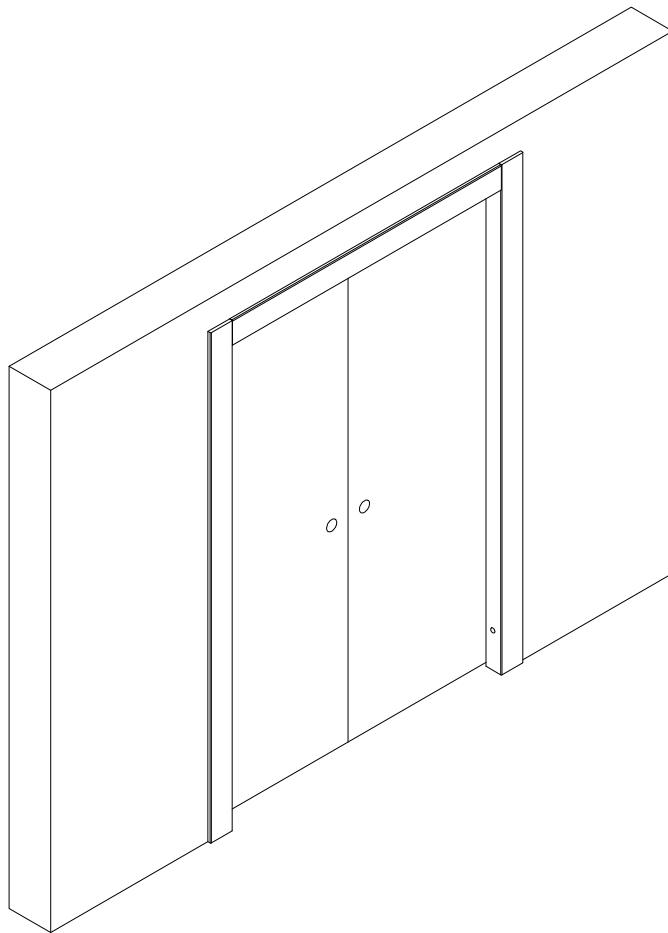
ATTENTION: FOR HEIGHTS ABOVE 2040 MM DOOR PANEL USE TWO SCREWS IN THE EXISTING EXTRA HOLES.





14





© ECLISSE UK - Tel.:0845 4811977 - Fax:01476 560951 - info@eclisse.co.uk

www.eclisse.co.uk